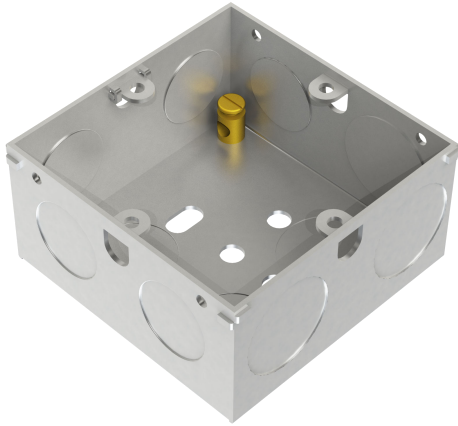


**PRODUCT CODE: EWS4**  
SWITCH & SOCKET BOX



**DESCRIPTION**

35mm 1 Gang Switch & Socket Box

**FINISH**

Pre Galvanised

**MATERIAL**

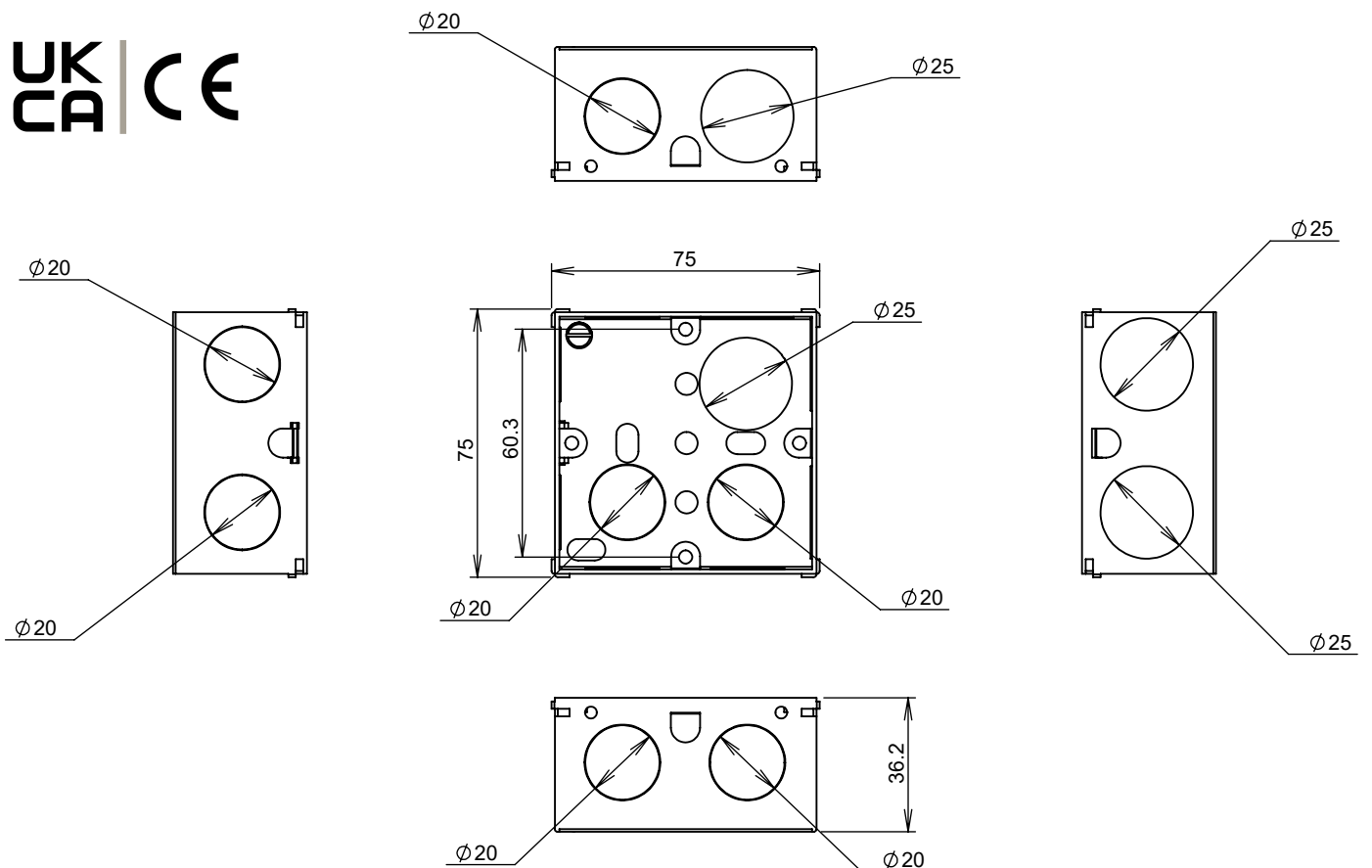
Sheet steel to comply with BS4662

**PACKAGING**

Packed in qty 10

**ADDITIONAL NOTES**

Comprises body and earth terminal with screw  
3 fixed lugs and 1 adjustable lug, 20mm Knockouts  
Compliant to BS4662 & LU Standard 1-085 (for use on surface & sub-surface locations)



© Values are nominal and with a general tolerance  $\pm 5\%$  unless otherwise specified